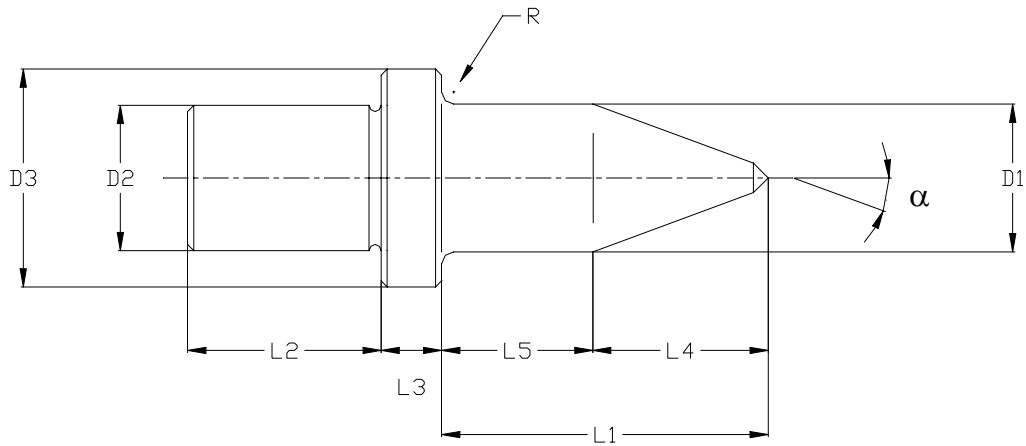
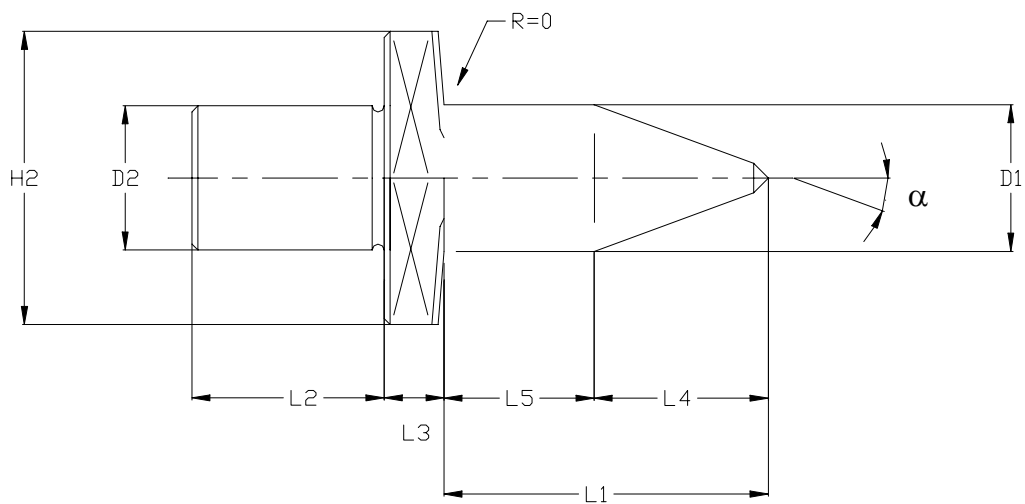


## Flowdrill Standard



## Flowdrill Flat



# Dimensionslist



D1	R	D2	D3	Lang				Kurz		Flach H2	Notes
				L2	L3	L5	L1	L5	L1		
2.0	0.5	6	8	11	4	5.0	7.8	3.0	5.8	7.0	.....
2.1	0.5	6	8	11	4	5.0	7.9	3.0	5.9	7.0	.....
2.2	0.5	6	8	11	4	5.0	8.0	3.0	6.0	7.0	.....
2.3	0.5	6	8	11	4	5.0	8.1	3.0	6.1	7.0	.....
2.4	0.5	6	8	11	4	5.0	8.3	3.0	6.3	7.0	.....
2.5	0.5	6	8	11	4	5.0	8.4	3.0	6.4	7.0	.....
2.6	0.5	6	8	11	4	5.0	8.5	3.0	6.5	7.0	.....
2.7	0.5	6	8	11	4	5.0	8.7	3.0	6.7	7.0	.....
2.8	0.5	6	8	11	4	5.0	8.8	3.0	6.8	7.0	.....
2.9	0.5	6	8	11	4	5.0	8.9	3.0	6.9	7.0	.....
3.0	0.5	6	8	11	4	5.0	9.1	3.0	7.1	7.0	.....
3.1	0.5	6	8	11	4	5.1	9.4	3.0	7.3	7.0	.....
3.2	0.5	6	8	11	4	5.1	9.5	3.0	7.4	7.0	.....
3.3	0.5	6	8	11	4	5.1	9.7	3.0	7.6	7.0	.....
3.4	0.5	6	8	11	4	5.1	9.8	3.0	7.7	7.0	.....
3.5	0.5	6	8	11	4	5.1	9.9	3.0	7.8	7.0	.....
3.6	0.5	6	8	11	4	5.2	10.2	3.0	8.0	7.2	.....
3.7	0.5	6	8	11	4	5.2	10.3	3.0	8.1	7.4	.....
3.8	0.5	6	8	11	4	5.3	10.5	3.0	8.2	7.6	.....
3.9	0.5	6	8	11	4	5.3	10.7	3.0	8.4	7.8	.....
4.0	0.5	6	8	11	4	5.4	10.9	3.0	8.5	8.0	.....
4.1	0.5	6	8	11	4	5.4	11.1	3.0	8.7	8.2	.....
4.2	0.5	6	8	11	4	5.4	11.2	3.0	8.8	8.4	.....
4.3	0.5	6	8	11	4	5.5	11.4	3.0	8.9	8.6	.....
4.4	0.5	6	8	11	4	5.5	11.5	3.0	9.0	8.8	.....
4.5	0.5	6	9	12	4	5.6	11.8	3.0	9.2	9.0	.....
4.6	0.5	6	9	12	4	5.7	12.0	3.0	9.3	9.2	.....
4.7	0.5	6	9	12	4	5.7	12.2	3.0	9.5	9.4	.....
4.8	0.5	6	9	12	4	5.8	12.4	3.0	9.6	9.6	.....
4.9	0.5	6	9	12	4	5.9	12.7	3.0	9.8	9.8	.....
5.0	0.5	6	10	12	4	5.9	12.8	3.0	9.9	10.0	.....
5.1	0.5	6	10	12	4	6.1	13.1	3.0	10.0	10.2	.....
5.2	0.5	6	10	12	4	6.1	13.3	3.0	10.2	10.4	.....
5.3	0.5	6	10	12	4	6.2	13.5	3.0	10.3	10.6	.....
5.4	0.5	6	10	12	4	6.3	13.8	3.0	10.5	10.8	.....
5.5	0.5	6	10.5	12	4	6.4	14.0	3.1	10.7	11.0	.....
5.6	0.5	6	10.5	12	4	6.5	14.2	3.1	10.8	11.2	.....
5.7	0.5	6	10.5	12	4	6.6	14.5	3.1	11.0	11.4	.....
5.8	0.5	6	10.5	12	4	6.7	14.7	3.2	11.2	11.6	.....
5.9	0.5	6	10.5	12	4	6.8	15.0	3.2	11.4	11.8	.....

# Dimensionslist



D1	R	D2	D3	Lang				Kurz		Flach H2	Notes
				L2	L3	L5	L1	L5	L1		
6.0	0.5	6	11.5	12	4	6.9	15.2	3.2	11.5	12.0	.....
6.1	0.5	6	11.5	12	4	7.0	15.4	3.2	11.6	12.2	.....
6.2	0.5	6	11.5	12	4	7.1	15.7	3.2	11.8	12.4	.....
6.3	0.5	6	11.5	12	4	7.2	15.9	3.2	11.9	12.6	.....
6.4	0.5	6	11.5	12	4	7.3	16.1	3.3	12.1	12.8	.....
6.5	0.5	8	12	14	5	7.3	16.3	3.3	12.3	13.0	.....
6.6	0.5	8	12	14	5	7.4	16.5	3.3	12.4	13.2	.....
6.7	0.5	8	12	14	5	7.5	16.8	3.4	12.7	13.4	.....
6.8	0.5	8	12	14	5	7.6	17.0	3.4	12.8	13.6	.....
6.9	0.5	8	12	14	5	7.7	17.2	3.4	12.9	13.8	.....
7.0	0.5	8	12.5	14	5	7.8	17.5	3.4	13.1	14.0	.....
7.1	0.5	8	12.5	14	5	7.9	17.7	3.4	13.2	14.2	.....
7.2	0.5	8	12.5	14	5	8.0	17.9	3.5	13.4	14.4	.....
7.3	0.5	8	12.5	14	5	8.1	18.1	3.5	13.5	14.6	.....
7.4	0.5	8	12.5	14	5	8.2	18.4	3.5	13.7	14.8	.....
7.5	0.5	8	13	14	5	8.3	18.7	3.6	14.0	15.0	.....
7.6	0.5	8	13	14	5	8.3	18.8	3.6	14.1	15.2	.....
7.7	0.5	8	13	14	5	8.4	19.0	3.6	14.2	15.4	.....
7.8	0.5	8	13	14	5	8.5	19.3	3.6	14.4	15.6	.....
7.9	0.5	8	13	14	5	8.6	19.5	3.7	14.6	15.8	.....
8.0	0.5	8	13.5	14	5	8.7	19.7	3.7	14.7	16.0	.....
8.1	0.5	8	13.5	14	5	8.8	20.0	3.7	14.9	16.2	.....
8.2	0.5	8	13.5	14	5	8.9	20.2	3.8	15.1	16.4	.....
8.3	0.5	8	13.5	14	5	9.0	20.4	3.8	15.2	16.6	.....
8.4	0.5	8	13.5	14	5	9.1	20.7	3.8	15.4	16.8	.....
8.5	1.0	10	14	16	6	9.2	20.9	3.9	15.6	17.0	.....
8.6	1.0	10	14	16	6	9.3	21.2	3.9	15.8	17.2	.....
8.7	1.0	10	14	16	6	9.3	21.3	3.9	15.9	17.4	.....
8.8	1.0	10	14	16	6	9.4	21.5	4.0	16.1	17.6	.....
8.9	1.0	10	14	16	6	9.5	21.8	4.0	16.3	17.8	.....
9.0	1.0	10	14.5	16	6	9.6	22.0	4.0	16.4	18.0	.....
9.1	1.0	10	14.5	16	6	9.7	22.3	4.0	16.6	18.2	.....
9.2	1.0	10	14.5	16	6	9.8	22.5	4.1	16.8	18.4	.....
9.3	1.0	10	14.5	16	6	9.9	22.8	4.1	17.0	18.6	.....
9.4	1.0	10	14.5	16	6	10.0	23.0	4.2	17.2	18.8	.....
9.5	1.0	10	15	16	6	10.1	23.2	4.2	17.3	19.0	.....
9.6	1.0	10	15	16	6	10.2	23.5	4.2	17.5	19.2	.....
9.7	1.0	10	15	16	6	10.3	23.7	4.3	17.7	19.4	.....
9.8	1.0	10	15	16	6	10.3	23.9	4.3	17.9	19.6	.....
9.9	1.0	10	15	16	6	10.4	24.1	4.3	18.0	19.8	.....

# Dimensionslist



D1	R	D2	D3	Lang				Kurz		Flach H2	Notes
				L2	L3	L5	L1	L5	L1		
10.0	1.0	10	15.5	16	6	10.5	24.3	4.4	18.2	20.0	.....
10.1	1.0	10	15.5	16	6	10.6	24.6	4.4	18.4	20.2	.....
10.2	1.0	10	15.5	16	6	10.7	24.8	4.4	18.5	20.4	.....
10.3	1.0	10	15.5	16	6	10.8	25.0	4.5	18.7	20.6	.....
10.4	1.0	10	15.5	16	6	10.9	25.3	4.5	18.9	20.8	.....
10.5	1.0	12	16	16	6	11.0	25.5	4.5	19.0	21.0	.....
10.6	1.0	12	16	16	6	11.1	25.8	4.6	19.3	21.2	.....
10.7	1.0	12	16	16	6	11.2	26.0	4.6	19.4	21.4	.....
10.8	1.0	12	16	16	6	11.3	26.2	4.6	19.5	21.6	.....
10.9	1.0	12	16	16	6	11.3	26.4	4.7	19.8	21.8	.....
11.0	1.0	12	16.5	16	6	11.4	26.6	4.7	19.9	22.0	.....
11.1	1.0	12	16.5	16	6	11.5	26.8	4.8	20.1	22.2	.....
11.2	1.0	12	16.5	16	6	11.6	27.1	4.8	20.3	22.4	.....
11.3	1.0	12	16.5	16	6	11.7	27.3	4.8	20.4	22.6	.....
11.4	1.0	12	16.5	16	6	11.8	27.6	4.9	20.7	22.8	.....
11.5	1.0	12	17.5	16	6	11.9	27.8	4.9	20.8	23.0	.....
11.6	1.0	12	17.5	16	6	12.0	28.0	5.0	21.0	23.2	.....
11.7	1.0	12	17.5	16	6	12.1	28.3	5.0	21.2	23.4	.....
11.8	1.0	12	17.5	16	6	12.2	28.5	5.0	21.3	23.6	.....
11.9	1.0	12	17.5	16	6	12.3	28.8	5.1	21.6	23.8	.....
12.0	1.0	12	18	16	6	12.3	28.9	5.1	21.7	24.0	.....
12.1	1.0	12	18	16	6	12.4	29.1	5.2	21.9	24.2	.....
12.2	1.0	12	18	16	6	12.5	29.4	5.2	22.1	24.4	.....
12.3	1.0	12	18	16	6	12.6	29.6	5.2	22.2	24.6	.....
12.4	1.0	12	18	16	6	12.7	29.8	5.3	22.4	24.8	.....
12.5	1.0	14	19	18	7	12.8	30.1	5.3	22.6	25.0	.....
12.6	1.0	14	19	18	7	12.9	30.3	5.3	22.7	25.2	.....
12.7	1.0	14	19	18	7	13.0	30.5	5.4	22.9	25.4	.....
12.8	1.0	14	19	18	7	13.1	30.8	5.4	23.1	25.6	.....
12.9	1.0	14	19	18	7	13.2	31.0	5.5	23.3	25.8	.....
13.0	1.0	14	19.5	18	7	13.3	31.3	5.5	23.5	26.0	.....
13.1	1.0	14	19.5	18	7	13.3	31.4	5.6	23.7	26.2	.....
13.2	1.0	14	19.5	18	7	13.4	31.6	5.6	23.8	26.4	.....
13.3	1.0	14	19.5	18	7	13.5	31.9	5.7	24.1	26.6	.....
13.4	1.0	14	19.5	18	7	13.6	32.1	5.7	24.2	26.8	.....
13.5	1.0	14	20.5	18	7	13.7	32.4	5.8	24.5	27.0	.....
13.6	1.0	14	20.5	18	7	13.8	32.6	5.8	24.6	27.2	.....
13.7	1.0	14	20.5	18	7	13.9	32.8	5.9	24.8	27.4	.....
13.8	1.0	14	20.5	18	7	14.0	33.1	5.9	25.0	27.6	.....
13.9	1.0	14	20.5	18	7	14.1	33.3	6.0	25.2	27.8	.....

# Dimensionslist



D1	R	D2	D3	Lang				Kurz		Flach H2	Notes
				L2	L3	L5	L1	L5	L1		
14.0	1.0	14	21	18	7	14.2	33.6	6.0	25.4	28.0	.....
14.1	1.0	14	21	18	7	14.3	33.8	6.1	25.6	28.2	.....
14.2	1.0	14	21	18	7	14.3	33.9	6.1	25.7	28.4	.....
14.3	1.0	14	21	18	7	14.4	34.2	6.2	26.0	28.6	.....
14.4	1.0	14	21	18	7	14.5	34.4	6.2	26.1	28.8	.....
14.5	1.5	16	22	20	7	14.6	34.6	6.3	26.3	29.0	.....
14.6	1.5	16	22	20	7	14.7	34.9	6.3	26.5	29.2	.....
14.7	1.5	16	22	20	7	14.8	35.1	6.4	26.7	29.4	.....
14.8	1.5	16	22	20	7	14.9	35.4	6.4	26.9	29.6	.....
14.9	1.5	16	22	20	7	15.0	35.6	6.5	27.1	29.8	.....
15.0	1.5	16	22.5	20	7	15.1	35.8	6.5	27.2	30.0	.....
15.1	1.5	16	22.5	20	7	15.2	36.1	6.5	27.4	30.2	.....
15.2	1.5	16	22.5	20	7	15.3	36.3	6.6	27.6	30.4	.....
15.3	1.5	16	22.5	20	7	15.3	36.4	6.6	27.7	30.6	.....
15.4	1.5	16	22.5	20	7	15.4	36.7	6.7	28.0	30.8	.....
15.5	1.5	16	23.5	20	7	15.5	36.9	6.7	28.1	31.0	.....
15.6	1.5	16	23.5	20	7	15.6	37.2	6.8	28.4	31.2	.....
15.7	1.5	16	23.5	20	7	15.7	37.4	6.8	28.5	31.4	.....
15.8	1.5	16	23.5	20	7	15.8	37.6	6.9	28.7	31.6	.....
15.9	1.5	16	23.5	20	7	15.9	37.9	6.9	28.9	31.8	.....
16.0	1.5	16	24.5	20	7	16.0	38.1	7.0	29.1	32.0	.....
16.1	1.5	16	24.5	20	7	16.1	38.3	7.0	29.2	32.2	.....
16.2	1.5	16	24.5	20	7	16.2	38.6	7.1	29.5	32.4	.....
16.3	1.5	16	24.5	20	7	16.3	38.8	7.1	29.6	32.6	.....
16.4	1.5	16	24.5	20	7	16.3	39.0	7.2	29.9	32.8	.....
16.5	1.5	18	25.5	22	7	16.4	39.2	7.2	30.0	33.0	.....
16.6	1.5	18	25.5	22	7	16.5	39.4	7.3	30.2	33.2	.....
16.7	1.5	18	25.5	22	7	16.6	39.7	7.3	30.4	33.4	.....
16.8	1.5	18	25.5	22	7	16.7	39.9	7.3	30.5	33.6	.....
16.9	1.5	18	25.5	22	7	16.8	40.2	7.4	30.8	33.8	.....
17.0	1.5	18	26.5	22	7	16.9	40.4	7.4	30.9	34.0	.....
17.1	1.5	18	26.5	22	7	17.0	40.6	7.5	31.1	34.2	.....
17.2	1.5	18	26.5	22	7	17.1	40.9	7.5	31.3	34.4	.....
17.3	1.5	18	26.5	22	7	17.2	41.1	7.6	31.5	34.6	.....
17.4	1.5	18	26.5	22	7	17.3	41.4	7.6	31.7	34.8	.....
17.5	1.5	18	27.5	22	7	17.3	41.5	7.7	31.9	35.0	.....
17.6	1.5	18	27.5	22	7	17.4	41.7	7.7	32.0	35.2	.....
17.7	1.5	18	27.5	22	7	17.5	42.0	7.8	32.3	35.4	.....
17.8	1.5	18	27.5	22	7	17.6	42.2	7.8	32.4	35.6	.....
17.9	1.5	18	27.5	22	7	17.7	42.5	7.9	32.7	35.8	.....

# Dimensionslist



D1	R	D2	D3	Lang				Kurz		Flach H2	Notes
				L2	L3	L5	L1	L5	L1		
18.0	1.5	18	28	22	7	17.8	42.7	7.9	32.8	36.0	.....
18.1	1.5	18	28	22	7	17.9	42.9	7.9	32.9	36.2	.....
18.2	1.5	18	28	22	7	18.0	43.2	8.0	33.2	36.4	.....
18.3	1.5	18	28	22	7	18.1	43.4	8.0	33.3	36.6	.....
18.4	1.5	18	28	22	7	18.2	43.6	8.1	33.5	36.8	.....
18.5	2.0	18	29	24	8	18.3	43.9	8.1	33.7	37.0	.....
18.6	2.0	18	29	24	8	18.3	44.0	8.2	33.9	37.2	.....
18.7	2.0	18	29	24	8	18.4	44.3	8.2	34.1	37.4	.....
18.8	2.0	18	29	24	8	18.5	44.5	8.3	34.3	37.6	.....
18.9	2.0	18	29	24	8	18.6	44.7	8.3	34.4	37.8	.....
19.0	2.0	18	29.5	24	8	18.7	45.0	8.4	34.7	38.0	.....
19.1	2.0	18	29.5	24	8	18.8	45.2	8.4	34.8	38.2	.....
19.2	2.0	18	29.5	24	8	18.9	45.5	8.5	35.1	38.4	.....
19.3	2.0	18	29.5	24	8	19.0	45.7	8.5	35.2	38.6	.....
19.4	2.0	18	29.5	24	8	19.1	45.9	8.6	35.4	38.8	.....
19.5	2.0	18	30.5	24	8	19.2	46.2	8.6	35.6	39.0	.....
19.6	2.0	18	30.5	24	8	19.3	46.4	8.7	35.8	39.2	.....
19.7	2.0	18	30.5	24	8	19.3	46.5	8.7	35.9	39.4	.....
19.8	2.0	18	30.5	24	8	19.4	46.8	8.8	36.2	39.6	.....
19.9	2.0	18	30.5	24	8	19.5	47.0	8.8	36.3	39.8	.....
20.0	2.0	18	31	24	8	19.5	47.2	8.9	36.6	40.0	.....
20.1	2.0	18	31	24	8	19.7	47.5	8.9	36.7	40.2	.....
20.2	2.0	18	31	24	8	19.8	47.7	8.9	36.8	40.4	.....
20.3	2.0	18	31	24	8	19.9	48.0	8.9	37.0	40.6	.....
20.4	2.0	18	31	24	8	20.0	48.2	9.0	37.2	40.8	.....
20.5	2.0	20	32	24	8	20.1	48.4	9.0	37.3	41.0	.....
20.6	2.0	20	32	24	8	20.2	48.7	9.1	37.6	41.2	.....
20.7	2.0	20	32	24	8	20.3	48.9	9.1	37.7	41.4	.....
20.8	2.0	20	32	24	8	20.4	49.2	9.2	38.0	41.6	.....
20.9	2.0	20	32	24	8	20.4	49.3	9.2	38.1	41.8	.....
21.0	2.0	20	32.5	24	8	20.5	49.5	9.3	38.3	42.0	.....
21.1	2.0	20	32.5	24	8	20.6	49.8	9.3	38.5	42.2	.....
21.2	2.0	20	32.5	24	8	20.7	50.0	9.4	38.7	42.4	.....
21.3	2.0	20	32.5	24	8	20.8	50.3	9.4	38.9	42.6	.....
21.4	2.0	20	32.5	24	8	20.9	50.5	9.5	39.1	42.8	.....
21.5	2.0	20	34.5	24	8	21.0	50.7	9.5	39.2	43.0	.....
21.6	2.0	20	34.5	24	8	21.1	51.0	9.5	39.4	43.2	.....
21.7	2.0	20	34.5	24	8	21.2	51.2	9.6	39.6	43.4	.....
21.8	2.0	20	34.5	24	8	21.2	51.4	9.6	39.8	43.6	.....
21.9	2.0	20	34.5	24	8	21.3	51.6	9.8	40.1	43.8	.....

# Dimensionslist



D1	R	D2	D3	Lang				Kurz		Flach H2	Notes
				L2	L3	L5	L1	L5	L1		
<b>22.0</b>	2.0	20	35	24	8	21.3	51.7	9.8	40.2	44.0	.....
<b>22.1</b>	2.0	20	35	24	8	21.5	52.1	9.8	40.4	44.2	.....
<b>22.2</b>	2.0	20	35	24	8	21.6	52.3	9.8	40.5	44.4	.....
<b>22.3</b>	2.0	20	35	24	8	21.7	52.5	9.9	40.7	44.6	.....
<b>22.4</b>	2.0	20	35	24	8	21.8	52.8	9.9	40.9	44.8	.....
<b>22.5</b>	2.0	20	36	24	9	21.9	53.0	9.9	41.0	45.0	.....
<b>22.6</b>	2.0	20	36	24	9	22.0	53.3	10.0	41.3	45.2	.....
<b>22.7</b>	2.0	20	36	24	9	22.1	53.5	10.0	41.4	45.4	.....
<b>22.8</b>	2.0	20	36	24	9	22.2	53.7	10.1	41.6	45.6	.....
<b>22.9</b>	2.0	20	36	24	9	22.3	54.0	10.1	41.8	45.8	.....
<b>23.0</b>	2.0	20	36.5	24	9	22.3	54.1	10.2	42.0	46.0	.....
<b>23.1</b>	2.0	20	36.5	24	9	22.4	54.4	10.2	42.2	46.2	.....
<b>23.2</b>	2.0	20	36.5	24	9	22.5	54.6	10.2	42.3	46.4	.....
<b>23.3</b>	2.0	20	36.5	24	9	22.6	54.8	10.3	42.5	46.6	.....
<b>23.4</b>	2.0	20	36.5	24	9	22.7	55.1	10.3	42.7	46.8	.....
<b>23.5</b>	2.0	20	37.5	24	9	22.8	55.3	10.4	42.9	47.0	.....
<b>23.6</b>	2.0	20	37.5	24	9	22.9	55.5	10.4	43.0	47.2	.....
<b>23.7</b>	2.0	20	37.5	24	9	23.0	55.8	10.5	43.3	47.4	.....
<b>23.8</b>	2.0	20	37.5	24	9	23.1	56.0	10.5	43.4	47.6	.....
<b>23.9</b>	2.0	20	37.5	24	9	23.2	56.3	10.6	43.7	47.8	.....
<b>24.0</b>	2.0	20	38	24	9	23.2	56.4	10.6	43.8	48.0	.....
<b>24.1</b>	2.0	20	38	24	9	23.3	56.6	10.6	43.9	48.2	.....
<b>24.2</b>	2.0	20	38	24	9	23.4	56.9	10.7	44.2	48.4	.....
<b>24.3</b>	2.0	20	38	24	9	23.5	57.1	10.7	44.3	48.6	.....
<b>24.4</b>	2.0	20	38	24	9	23.6	57.4	10.8	44.6	48.8	.....
<b>24.5</b>	2.5	20	39	24	9	23.7	57.6	10.8	44.7	49.0	.....
<b>24.6</b>	2.5	20	39	24	9	23.8	57.8	10.9	44.9	49.2	.....
<b>24.7</b>	2.5	20	39	24	9	23.9	58.1	10.9	45.1	49.4	.....
<b>24.8</b>	2.5	20	39	24	9	24.0	58.3	11.0	45.3	49.6	.....
<b>24.9</b>	2.5	20	39	24	9	24.1	58.5	11.0	45.4	49.8	.....
<b>25.0</b>	2.5	20	39.5	24	9	24.1	58.7	11.1	45.7	50.0	.....
<b>25.1</b>	2.5	20	39.5	24	9	24.2	58.9	11.1	45.8	50.2	.....
<b>25.2</b>	2.5	20	39.5	24	9	24.3	59.2	11.2	46.1	50.4	.....
<b>25.3</b>	2.5	20	39.5	24	9	24.4	59.4	11.2	46.2	50.6	.....
<b>25.4</b>	2.5	20	39.5	24	9	24.5	59.6	11.3	46.4	50.8	.....
<b>25.5</b>	2.5	20	40.5	24	9	24.6	60.2	11.3	46.9	51.0	.....
<b>25.6</b>	2.5	20	40.5	24	9	24.7	60.5	11.4	47.2	51.2	.....
<b>25.7</b>	2.5	20	40.5	24	9	24.8	60.7	11.4	47.3	51.4	.....
<b>25.8</b>	2.5	20	40.5	24	9	24.8	60.9	11.5	47.6	51.6	.....
<b>25.9</b>	2.5	20	40.5	24	9	24.9	61.1	11.6	47.8	51.8	.....

# Dimensionslist



D1	R	D2	D3	Lang				Kurz		Flach H2	Notes
				L2	L3	L5	L1	L5	L1		
26.0	2.5	20	41	24	9	25.0	61.4	11.7	48.1	52.0	.....
26.1	2.5	20	41	24	9	25.1	61.6	11.7	48.2	52.2	.....
26.2	2.5	20	41	24	9	25.2	61.9	11.8	48.5	52.4	.....
26.3	2.5	20	41	24	9	25.3	62.1	11.9	48.7	52.6	.....
26.4	2.5	20	42	24	9	25.4	62.4	12.0	49.0	52.8	.....
26.5	2.5	20	42	24	9	25.4	62.5	12.1	49.2	53.0	.....
26.6	2.5	20	42	24	9	25.5	62.8	12.1	49.4	53.2	.....
26.7	2.5	20	42	24	9	25.6	63.1	12.2	49.7	53.4	.....
26.8	2.5	20	42	24	9	25.7	63.3	12.3	49.9	53.6	.....
26.9	2.5	20	42	24	9	25.8	63.6	12.3	50.1	53.8	.....
27.0	2.5	20	42.5	24	9	25.9	63.8	12.4	50.3	54.0	.....
27.1	2.5	20	42.5	24	9	26.0	64.1	12.5	50.6	54.2	.....
27.2	2.5	20	42.5	24	9	26.1	64.3	12.5	50.7	54.4	.....
27.3	2.5	20	42.5	24	9	26.2	64.6	12.6	51.0	54.6	.....
27.4	2.5	20	42.5	24	9	26.3	64.8	12.7	51.2	54.8	.....
27.5	2.5	20	43	24	9	26.3	65.0	12.8	51.5	55.0	.....
27.6	2.5	20	43	24	9	26.4	65.2	12.8	51.6	55.2	.....
27.7	2.5	20	43	24	9	26.5	65.5	12.9	51.9	55.4	.....
27.8	2.5	20	43	24	9	26.6	65.7	12.9	52.0	55.6	.....
27.9	2.5	20	43	24	9	26.7	66.0	13.0	52.3	55.8	.....
28.0	2.5	20	43	24	9	26.7	66.2	13.1	52.6	56.0	.....
28.1	2.5	20	43	24	9	26.8	66.4	13.1	52.7	56.2	.....
28.2	2.5	20	43	24	9	26.9	66.7	13.2	53.0	56.4	.....
28.3	2.5	20	43	24	9	27.0	66.9	13.3	53.2	56.6	.....
28.4	2.5	20	43	24	9	27.1	67.2	13.4	53.5	56.8	.....
28.5	2.5	20	43.5	24	9	27.1	67.3	13.5	53.7	57.0	.....
28.6	2.5	20	43.5	24	9	27.2	67.6	13.5	53.9	57.2	.....
28.7	2.5	20	43.5	24	9	27.3	67.8	13.6	54.1	57.4	.....
28.8	2.5	20	43.5	24	9	27.4	68.1	13.6	54.3	57.6	.....
28.9	2.5	20	43.5	24	9	27.5	68.3	13.7	54.5	57.8	.....
29.0	2.5	20	43.5	24	9	27.5	68.5	13.8	54.8	58.0	.....
29.1	2.5	20	43.5	24	9	27.6	68.7	13.9	55.0	58.2	.....
29.2	2.5	20	43.5	24	9	27.7	69.0	13.9	55.2	58.4	.....
29.3	2.5	20	43.5	24	9	27.8	69.3	14.0	55.5	58.6	.....
29.4	2.5	20	43.5	24	9	27.9	69.5	14.1	55.7	58.8	.....
29.5	2.5	20	44	24	9	27.9	69.7	14.2	56.0	59.0	.....
29.6	2.5	20	44	24	9	28.0	69.9	14.2	56.1	59.2	.....
29.7	2.5	20	44	24	9	28.1	70.1	14.3	56.3	59.4	.....
29.8	2.5	20	44	24	9	28.2	70.4	14.3	56.5	59.6	.....
29.9	2.5	20	44	24	9	28.3	70.7	14.4	56.8	59.8	.....



# Dimensionslist



D1	R	D2	D3	Lang				Kurz		Flach H2	Notes
				L2	L3	L5	L1	L5	L1		
<b>30.0</b>	2.5	20	44	24	9	28.3	70.3	14.5	56.5	60.0	.....
<b>30.1</b>	2.5	20	44	24	9	28.4	70.6	14.6	56.8	60.2	.....
<b>30.2</b>	2.5	20	44	24	9	28.5	70.8	14.7	57.0	60.4	.....
<b>30.3</b>	2.5	20	44	24	9	28.6	71.1	14.7	57.2	60.6	.....
<b>30.4</b>	2.5	20	44	24	9	28.7	71.3	14.8	57.4	60.8	.....
<b>30.5</b>	2.5	20	44.5	24	9	28.7	71.5	14.9	57.7	61.0	.....
<b>30.6</b>	2.5	20	44.5	24	9	28.8	71.7	14.9	57.8	61.2	.....
<b>30.7</b>	2.5	20	44.5	24	9	28.9	72.0	15.0	58.1	61.4	.....
<b>30.8</b>	2.5	20	44.5	24	9	29.0	72.2	15.0	58.2	61.6	.....
<b>30.9</b>	2.5	20	44.5	24	9	29.1	72.5	15.1	58.5	61.8	.....
<b>31.0</b>	2.5	20	44.5	24	9	29.1	72.7	15.2	58.8	62.0	.....
<b>31.1</b>	2.5	20	44.5	24	9	29.2	72.9	15.3	59.0	62.2	.....
<b>31.2</b>	2.5	20	44.5	24	9	29.3	73.2	15.4	59.3	62.4	.....
<b>31.3</b>	2.5	20	44.5	24	9	29.4	73.4	15.4	59.4	62.6	.....
<b>31.4</b>	2.5	20	44.5	24	9	29.5	73.7	15.5	59.7	62.8	.....
<b>31.5</b>	2.5	20	44.5	24	9	29.5	73.8	15.6	59.9	63.0	.....
<b>31.6</b>	2.5	20	44.5	24	9	29.6	74.1	15.6	60.1	63.2	.....
<b>31.7</b>	2.5	20	44.5	24	9	29.7	74.3	15.7	60.3	63.4	.....
<b>31.8</b>	2.5	20	44.5	24	9	29.8	74.6	15.7	60.5	63.6	.....
<b>31.9</b>	2.5	20	44.5	24	9	29.9	74.8	15.8	60.7	63.8	.....
<b>32.0</b>	2.5	20	45	24	9	29.9	75.0	15.9	61.0	64.0	.....
<b>32.1</b>	2.5	20	45	24	9	30.0	75.2	16.0	61.2	64.2	.....
<b>32.2</b>	2.5	20	45	24	9	30.1	75.5	16.0	61.4	64.4	.....
<b>32.3</b>	2.5	20	45	24	9	30.2	75.8	16.1	61.7	64.6	.....
<b>32.4</b>	2.5	20	45	24	9	30.3	76.0	16.2	61.9	64.8	.....
<b>32.5</b>	2.5	20	46	24	9	30.3	76.2	16.3	62.2	65.0	.....
<b>32.6</b>	2.5	20	46	24	9	30.4	76.4	16.3	62.3	65.2	.....
<b>32.7</b>	2.5	20	46	24	9	30.5	76.7	16.4	62.6	65.4	.....
<b>32.8</b>	2.5	20	46	24	9	30.6	76.9	16.4	62.7	65.6	.....
<b>32.9</b>	2.5	20	46	24	9	30.7	77.2	16.5	63.0	65.8	.....
<b>33.0</b>	2.5	20	47	24	9	30.7	77.3	16.6	63.2	66.0	.....
<b>33.1</b>	2.5	20	47	24	9	30.8	77.6	16.7	63.5	66.2	.....
<b>33.2</b>	2.5	20	47	24	9	30.9	77.8	16.8	63.7	66.4	.....
<b>33.3</b>	2.5	20	47	24	9	31.0	78.1	16.8	63.9	66.6	.....
<b>33.4</b>	2.5	20	47	24	9	31.1	78.3	16.9	64.1	66.8	.....
<b>33.5</b>	2.5	20	48	24	9	31.1	78.5	17.0	64.4	67.0	.....
<b>33.6</b>	2.5	20	48	24	9	31.2	78.8	17.1	64.7	67.2	.....
<b>33.7</b>	2.5	20	48	24	9	31.3	79.0	17.1	64.8	67.4	.....
<b>33.8</b>	2.5	20	48	24	9	31.4	79.3	17.2	65.1	67.6	.....
<b>33.9</b>	2.5	20	48	24	9	31.5	79.5	17.2	65.2	67.8	.....

# Dimensionslist



D1	R	D2	D3	Lang				Kurz		Flach H2	Notes
				L2	L3	L5	L1	L5	L1		
34.0	2.5	20	49	24	9	31.5	79.7	17.3	65.5	68.0	.....
34.1	2.5	20	49	24	9	31.6	79.9	17.4	65.7	68.2	.....
34.2	2.5	20	49	24	9	31.7	80.2	17.4	65.9	68.4	.....
34.3	2.5	20	49	24	9	31.8	80.4	17.5	66.1	68.6	.....
34.4	2.5	20	49	24	9	31.9	80.7	17.6	66.4	68.8	.....
34.5	2.5	20	50	24	9	31.9	80.8	17.6	66.5	69.0	.....
34.6	2.5	20	50	24	9	32.0	81.1	17.7	66.8	69.2	.....
34.7	2.5	20	50	24	9	32.1	81.4	17.8	67.1	69.4	.....
34.8	2.5	20	50	24	9	32.2	81.6	17.8	67.2	69.6	.....
34.9	2.5	20	50	24	9	32.3	81.9	17.9	67.5	69.8	.....
35.0	2.5	20	51	24	9	32.3	82.0	18.0	67.7	70.0	.....
35.1	2.5	20	51	24	9	32.4	82.3	18.1	68.0	70.2	.....
35.2	2.5	20	51	24	9	32.5	82.5	18.2	68.2	70.4	.....
35.3	2.5	20	51	24	9	32.6	82.8	18.2	68.4	70.6	.....
35.4	2.5	20	51	24	9	32.7	83.0	18.3	68.6	70.8	.....
35.5	2.5	20	52	24	9	32.7	83.2	18.4	68.9	71.0	.....
35.6	2.5	20	52	24	9	32.8	83.4	18.4	69.0	71.2	.....
35.7	2.5	20	52	24	9	32.9	83.7	18.5	69.3	71.4	.....
35.8	2.5	20	52	24	9	33.0	83.9	18.5	69.4	71.6	.....
35.9	2.5	20	52	24	9	33.1	84.2	18.6	69.7	71.8	.....
36.0	2.5	20	53	24	9	33.1	84.3	18.7	69.9	72.0	.....
36.1	2.5	20	53	24	9	33.2	84.6	18.8	70.2	72.2	.....
36.2	2.5	20	53	24	9	33.3	84.9	18.8	70.4	72.4	.....
36.3	2.5	20	53	24	9	33.4	85.1	18.9	70.6	72.6	.....
36.4	2.5	20	53	24	9	33.5	85.4	19.0	70.9	72.8	.....
36.5	2.5	20	53	24	9	33.5	85.5	19.1	71.1	73.0	.....
36.6	2.5	20	53	24	9	33.6	85.8	19.1	71.3	73.2	.....
36.7	2.5	20	53	24	9	33.7	86.0	19.2	71.5	73.4	.....
36.8	2.5	20	53	24	9	33.8	86.3	19.2	71.7	73.6	.....
36.9	2.5	20	53	24	9	33.9	86.5	19.3	71.9	73.8	.....
37.0	2.5	20	53	24	9	33.9	86.7	19.4	72.2	74.0	.....
37.1	2.5	20	53	24	9	34.0	86.9	19.5	72.4	74.2	.....
37.2	2.5	20	53	24	9	34.1	87.2	19.5	72.6	74.4	.....
37.3	2.5	20	53	24	9	34.2	87.4	19.6	72.8	74.6	.....
37.4	2.5	20	53	24	9	34.3	87.7	19.7	73.1	74.8	.....
37.5	2.5	20	54	24	9	34.3	87.9	19.8	73.4	75.0	.....
37.6	2.5	20	54	24	9	34.4	88.1	19.8	73.5	75.2	.....
37.7	2.5	20	54	24	9	34.5	88.4	19.9	73.8	75.4	.....
37.8	2.5	20	54	24	9	34.6	88.6	19.9	73.9	75.6	.....
37.9	2.5	20	54	24	9	34.7	88.9	20.0	74.2	75.8	.....

# Dimensionslist



D1	R	D2	D3	Lang				Kurz		Flach H2	Notes
				L2	L3	L5	L1	L5	L1		
38.0	2.5	20	54	24	9	34.7	89.0	20.1	74.4	76.0	.....
38.1	2.5	20	54	24	9	34.8	89.3	20.2	74.7	76.2	.....
38.2	2.5	20	54	24	9	34.9	89.5	20.3	74.9	76.4	.....
38.3	2.5	20	54	24	9	35.0	89.8	20.3	75.1	76.6	.....
38.4	2.5	20	54	24	9	35.1	90.0	20.4	75.3	76.8	.....
38.5	2.5	20	55	24	9	35.1	90.2	20.4	75.5	77.0	.....
38.6	2.5	20	55	24	9	35.2	90.4	20.5	75.7	77.2	.....
38.7	2.5	20	55	24	9	35.3	90.7	20.5	75.9	77.4	.....
38.8	2.5	20	55	24	9	35.4	91.0	20.6	76.2	77.6	.....
38.9	2.5	20	55	24	9	35.5	91.2	20.7	76.4	77.8	.....
39.0	2.5	20	55	24	9	35.5	91.4	20.8	76.7	78.0	.....
39.1	2.5	20	55	24	9	35.6	91.6	20.9	76.9	78.2	.....
39.2	2.5	20	55	24	9	35.7	91.9	21.0	77.2	78.4	.....
39.3	2.5	20	55	24	9	35.8	92.1	21.0	77.3	78.6	.....
39.4	2.5	20	55	24	9	35.9	92.4	21.1	77.6	78.8	.....
39.5	2.5	20	55	24	9	35.9	92.5	21.2	77.8	79.0	.....
39.6	2.5	20	55	24	9	36.0	92.8	21.2	78.0	79.2	.....
39.7	2.5	20	55	24	9	36.1	93.0	21.3	78.2	79.4	.....
39.8	2.5	20	55	24	9	36.2	93.3	21.3	78.4	79.6	.....
39.9	2.5	20	55	24	9	36.3	93.5	21.4	78.6	79.8	.....
40.0	2.5	20	56	24	9	36.3	93.2	21.5	78.4	80.0	.....
40.1	2.5	20	56	24	9	36.4	93.4	21.6	78.6	80.2	.....
40.2	2.5	20	56	24	9	36.5	93.7	21.7	78.9	80.4	.....
40.3	2.5	20	56	24	9	36.6	93.9	21.7	79.0	80.6	.....
40.4	2.5	20	56	24	9	36.7	94.2	21.8	79.3	80.8	.....
40.5	2.5	20	56	24	9	36.7	94.4	21.9	79.6	81.0	.....
40.6	2.5	20	56	24	9	36.8	94.6	21.9	79.7	81.2	.....
40.7	2.5	20	56	24	9	36.9	94.9	22.0	80.0	81.4	.....
40.8	2.5	20	56	24	9	37.0	95.1	22.0	80.1	81.6	.....
40.9	2.5	20	56	24	9	37.1	95.4	22.1	80.4	81.8	.....
41.0	2.5	24	56	30	10	37.1	95.5	22.2	80.6	82.0	.....
41.1	2.5	24	56	30	10	37.2	95.8	22.3	80.9	82.2	.....
41.2	2.5	24	56	30	10	37.3	96.0	22.4	81.1	82.4	.....
41.3	2.5	24	56	30	10	37.4	96.3	22.4	81.3	82.6	.....
41.4	2.5	24	56	30	10	37.5	96.5	22.5	81.5	82.8	.....
41.5	2.5	24	57	30	10	37.5	96.7	22.6	81.8	83.0	.....
41.6	2.5	24	57	30	10	37.6	96.9	22.6	81.9	83.2	.....
41.7	2.5	24	57	30	10	37.7	97.2	22.7	82.2	83.4	.....
41.8	2.5	24	57	30	10	37.8	97.5	22.7	82.4	83.6	.....
41.9	2.5	24	57	30	10	37.9	97.7	22.8	82.6	83.8	.....

# Dimensionslist



D1	R	D2	D3	Lang				Kurz		Flach H2	Notes
				L2	L3	L5	L1	L5	L1		
42.0	2.5	24	58	30	10	37.9	97.9	22.9	82.9	84.0	.....
42.1	2.5	24	58	30	10	38.0	98.1	22.9	83.0	84.2	.....
42.2	2.5	24	58	30	10	38.1	98.4	23.0	83.3	84.4	.....
42.3	2.5	24	58	30	10	38.2	98.6	23.1	83.5	84.6	.....
42.4	2.5	24	58	30	10	38.3	98.9	23.2	83.8	84.8	.....
42.5	2.5	24	58	30	10	38.3	99.0	23.3	84.0	85.0	.....
42.6	2.5	24	58	30	10	38.4	99.3	23.3	84.2	85.2	.....
42.7	2.5	24	58	30	10	38.5	99.5	23.4	84.4	85.4	.....
42.8	2.5	24	58	30	10	38.6	99.8	23.4	84.6	85.6	.....
42.9	2.5	24	58	30	10	38.7	100.0	23.5	84.8	85.8	.....
43.0	2.5	24	59	30	10	38.7	100.2	23.6	85.1	86.0	.....
43.1	2.5	24	59	30	10	38.8	100.5	23.7	85.4	86.2	.....
43.2	2.5	24	59	30	10	38.9	100.7	23.7	85.5	86.4	.....
43.3	2.5	24	59	30	10	39.0	101.0	23.8	85.8	86.6	.....
43.4	2.5	24	59	30	10	39.1	101.2	23.9	86.0	86.8	.....
43.5	2.5	24	60	30	10	39.1	101.4	24.0	86.3	87.0	.....
43.6	2.5	24	60	30	10	39.2	101.6	24.0	86.4	87.2	.....
43.7	2.5	24	60	30	10	39.3	101.9	24.1	86.7	87.4	.....
43.8	2.5	24	60	30	10	39.4	102.1	24.1	86.8	87.6	.....
43.9	2.5	24	60	30	10	39.5	102.4	24.2	87.1	87.8	.....
44.0	2.5	26	61	30	10	39.5	102.5	24.3	87.3	88.0	.....
44.1	2.5	26	61	30	10	39.6	102.8	24.4	87.6	88.2	.....
44.2	2.5	26	61	30	10	39.7	103.0	24.5	87.8	88.4	.....
44.3	2.5	26	61	30	10	39.8	103.3	24.5	88.0	88.6	.....
44.4	2.5	26	61	30	10	39.9	103.6	24.6	88.3	88.8	.....
44.5	2.5	26	61	30	10	39.9	103.7	24.7	88.5	89.0	.....
44.6	2.5	26	61	30	10	40.0	104.0	24.7	88.7	89.2	.....
44.7	2.5	26	61	30	10	40.1	104.2	24.8	88.9	89.4	.....
44.8	2.5	26	61	30	10	40.2	104.5	24.8	89.1	89.6	.....
44.9	2.5	26	61	30	10	40.3	104.7	24.9	89.3	89.8	.....
45.0	2.5	26	62	30	10	40.3	104.3	25.0	89.0	90.0	.....
45.1	2.5	26	62	30	10	40.4	104.6	25.1	89.3	90.2	.....
45.2	2.5	26	62	30	10	40.5	104.9	25.2	89.6	90.4	.....
45.3	2.5	26	62	30	10	40.6	105.1	25.2	89.7	90.6	.....
45.4	2.5	26	62	30	10	40.7	105.4	25.3	90.0	90.8	.....
45.5	2.5	26	62	30	10	40.7	105.5	25.4	90.2	91.0	.....
45.6	2.5	26	62	30	10	40.8	105.8	25.4	90.4	91.2	.....
45.7	2.5	26	62	30	10	40.9	106.0	25.5	90.6	91.4	.....
45.8	2.5	26	62	30	10	41.0	106.3	25.5	90.8	91.6	.....
45.9	2.5	26	62	30	10	41.1	106.5	25.6	91.0	91.8	.....

# Dimensionslist



D1	R	D2	D3	Lang				Kurz		Flach H2	Notes
				L2	L3	L5	L1	L5	L1		
<b>46.0</b>	2.5	26	63	30	10	41.1	106.7	25.7	91.3	92.0	.....
<b>46.1</b>	2.5	26	63	30	10	41.2	107.0	25.8	91.6	92.2	.....
<b>46.2</b>	2.5	26	63	30	10	41.3	107.2	25.8	91.7	92.4	.....
<b>46.3</b>	2.5	26	63	30	10	41.4	107.4	25.9	91.9	92.6	.....
<b>46.4</b>	2.5	26	63	30	10	41.5	107.7	26.0	92.2	92.8	.....
<b>46.5</b>	2.5	26	64	30	10	41.5	107.9	26.0	92.4	93.0	.....
<b>46.6</b>	2.5	26	64	30	10	41.6	108.1	26.1	92.6	93.2	.....
<b>46.7</b>	2.5	26	64	30	10	41.7	108.4	26.2	92.9	93.4	.....
<b>46.8</b>	2.5	26	64	30	10	41.8	108.6	26.2	93.0	93.6	.....
<b>46.9</b>	2.5	26	64	30	10	41.9	108.9	26.3	93.3	93.8	.....